



Motion Sensing Wall Lantern

IOL205
03/13

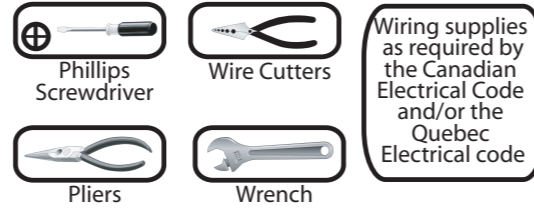
QUESTIONS OR CONCERNS CONTACT CANARM AT:
1-800-265-1833 (English) / 1-800-567-2513 (French)
Monday through Friday 8:00 AM to 5:00 PM E.S.T.

"INSTRUCTIONS PERTAINING TO RISK OF FIRE OR INJURY TO PERSONS"
"READ ALL INSTRUCTIONS"

"IMPORTANT SAFETY INSTRUCTIONS"

"SAVE THESE INSTRUCTIONS"

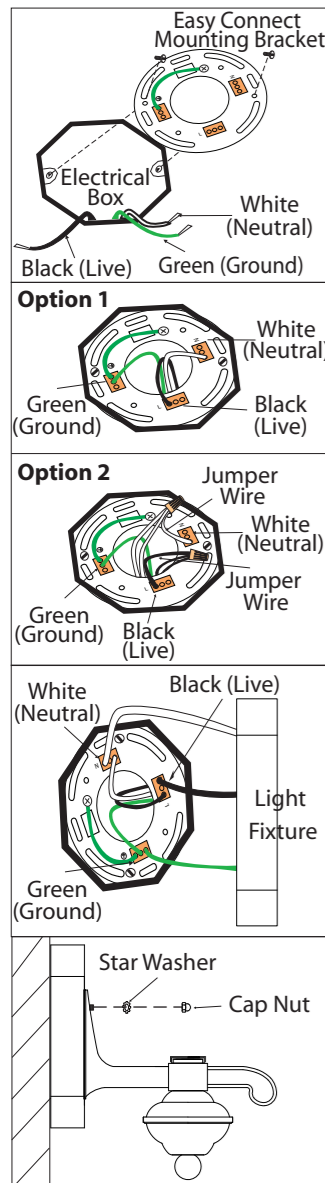
TOOLS AND MATERIALS REQUIRED:



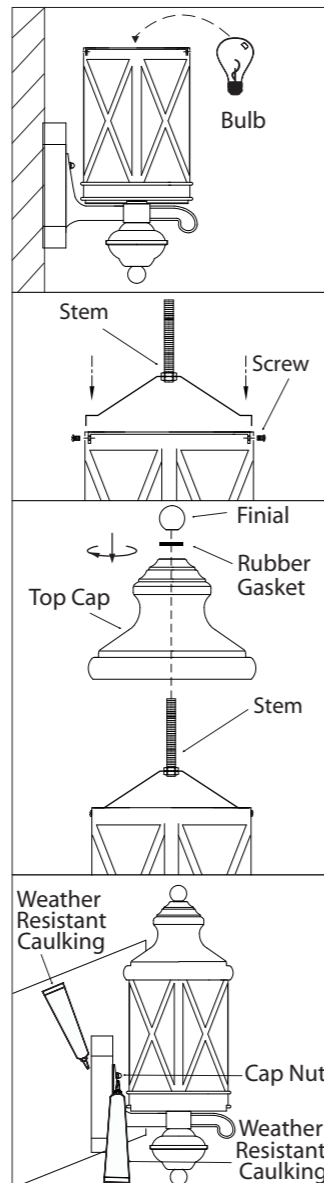
SAFETY PRECAUTIONS:

1. TURN OFF ELECTRICAL POWER BEFORE STARTING INSTALLATION OF LIGHT FIXTURE.
2. THIS PRODUCT MUST BE INSTALLED IN ACCORDANCE WITH THE APPLICABLE INSTALLATION CODE BY A PERSON FAMILIAR WITH THE CONSTRUCTION AND OPERATION OF THE PRODUCT AND THE HAZARDS INVOLVED.
3. CONNECT THE GROUND WIRES (BARE COPPER OR GREEN) FROM YOUR FIXTURE TO THE GROUND WIRE (BARE COPPER OR GREEN) OR GROUND SCREW IN THE ELECTRICAL OUTLET BOX.

INSTALLATION:



1. Attach easy connect mounting bracket to electrical box with electrical box screws (not included).
2. **Option 1:** Connect (push) electrical wires from electric box (house wiring) into correct inserts.
Option 2: For multiple black (live) & white (neutral) wires joined in the electrical box (house wiring), attach a single "black" and "white" Jumper Wire before connecting. Strip 7mm from a 6" Jumper Wires (AWG 12-24) supplied. Then connect (push) wires into correct inserts.
3. Connect (push) electrical wires from fixture into correct inserts.
4. Once connections of wires are completed, carefully tuck wires and wire nuts into the outlet box making sure no bare wire (on the black and white) is visible at the wire nuts. Install the light fixture to the wall by aligning the hole(s) in the fixture with the studs or nipple on the mounting bracket. Secure in place with cap nut(s) and star washer (s).



5. Install the proper bulb type and wattage (not included).
6. Remove the 2 screws and install the mounting stem by these 2 screws as shown.
7. Place the top cap on the fixture and secure in place by threading the finial onto the stem until it is snug.
8. After Installation, seal around the top and side perimeter between the fixture and the wall surface with weather resistant caulking. The bottom should be left un-caulked to prevent moisture build-up. Apply a small amount of weather resistant caulking around the side perimeter between the cap nut and mounting plate.

CAUTION:

THIS FIXTURE IS DESIGNED FOR USE IN A 120V AC. 60HZ FUSED CIRCUIT. DO NOT USE LUMINAIRE ON A DIMMING CIRCUIT.

Function and Operation

Thank you for purchasing your advanced Twinlight, lighting system that combines the lowest operational cost and security lighting in one fixture. Your Light has two light sources an LED light that uses minimal power consumption and a secondary light for maximum light output when motion is detected.

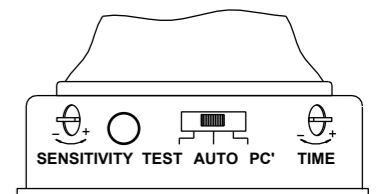
The fixture is also equipped with a dusk to dawn sensor and a motion sensor. The fixture operates as follows. When darkness arrives the dusk to dawn sensor will activate the low power consumption LED(3 watt) you will have the light output of a traditional 25 watt bulb but you are only using 3 watts of power. Your LED will remain on until sunrise and the sensor will shut off the fixture. If during the night motion is detected by the fixture the secondary light will turn on (It is customer choice of the light bulb you install the Twinlight can except a Compact Fluorescent bulb, incandescent bulb or an LED bulb) to alert you of a guest or an intruder. At this time the LED light will shut off. As soon as motion is discontinued the secondary light will shut off and the low usage LED bulb will again switch on.

Note: when power is first applied, the light will come on for about 45-60 sec. To allow the circuit to stabilize.

Via the slide switch beneath the wall plate, there are 3 major functions can be carried.(See fig.1)

	TEST MODE	AUTO MODE	PC'Mode (Controlled by Dusk to Dawn)
Works at	Day and Night	Night only	Night only
LED	ON (Off when Incandescent Bulb is on)	ON (Off when Incandescent Bulb is on)	—
Incandescent Bulb	ON (when activated by motion)	ON (when activated by motion)	ON (from Dusk to Dawn)
Shut-off Delay	5 seconds for incandescent bulb	5-180 seconds	—

Fig.1



Testing and Setting

- Installation of a height of 6.5' at 20°, the lantern will provide a detection distance up to 19' (See fig.2) The sensitivity will be higher as the environmental temperature is getting cool. You may wish to make adjustment again seasonally.
- During Test Mode, the light will come ON for 5 sec every time when motion is detected. You will need to set the shut-off delay time only when the light enters into the Auto Mode.
- Clean the sensor window with soft cloth every 1 or 2 month to clear any obstructions.
- The sensor is more sensitive to motions across its detection path rather than the motions towards it directly. Walking with normal speed across the detection area will set the desired detection distance properly.

Sensitivity

- The sensitivity was set at the maximum of 19' at the factory. By turning the knob in counterclockwise, the detection distance can be decreased to 5' as the minimum.
- With a fixed angle coverage of 120°. (See fig.3)

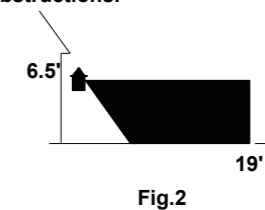


Fig.2

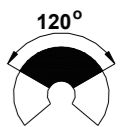


Fig.3

Shut-off delay time

The light will stay ON as long as the motion is detected. When no motion is detected, the light will turn OFF after the delay time has elapsed. The elapsed time can be 5 sec to 3 min depending on your setting of the time setting switch on the sensor.

Trouble Shooting

If the light does not come ON at all

1. Make sure the circuit breaker is ON and the wiring is correct.
2. Make Sure the slide switch is at the TEST position.
3. Adjust the Sensitivity knob in clockwise to increase the detection distance.
4. When in AUTO or PC' Mode, cover the sensor with your palm to verify light level is not too high.

If the light stays on continuously

1. Turn the power off for one minute then on again.
2. Make sure there is no motion existing within the detection area.
3. Adjust the Time knob counterclockwise to reduce the Shut-Off delay time.

If the light blinks

1. Make sure the light is not mounted near a heat or to any light source.
2. Reducer the sensitivity to avoid the undesired triggering by passing cars or reflecting objects.